

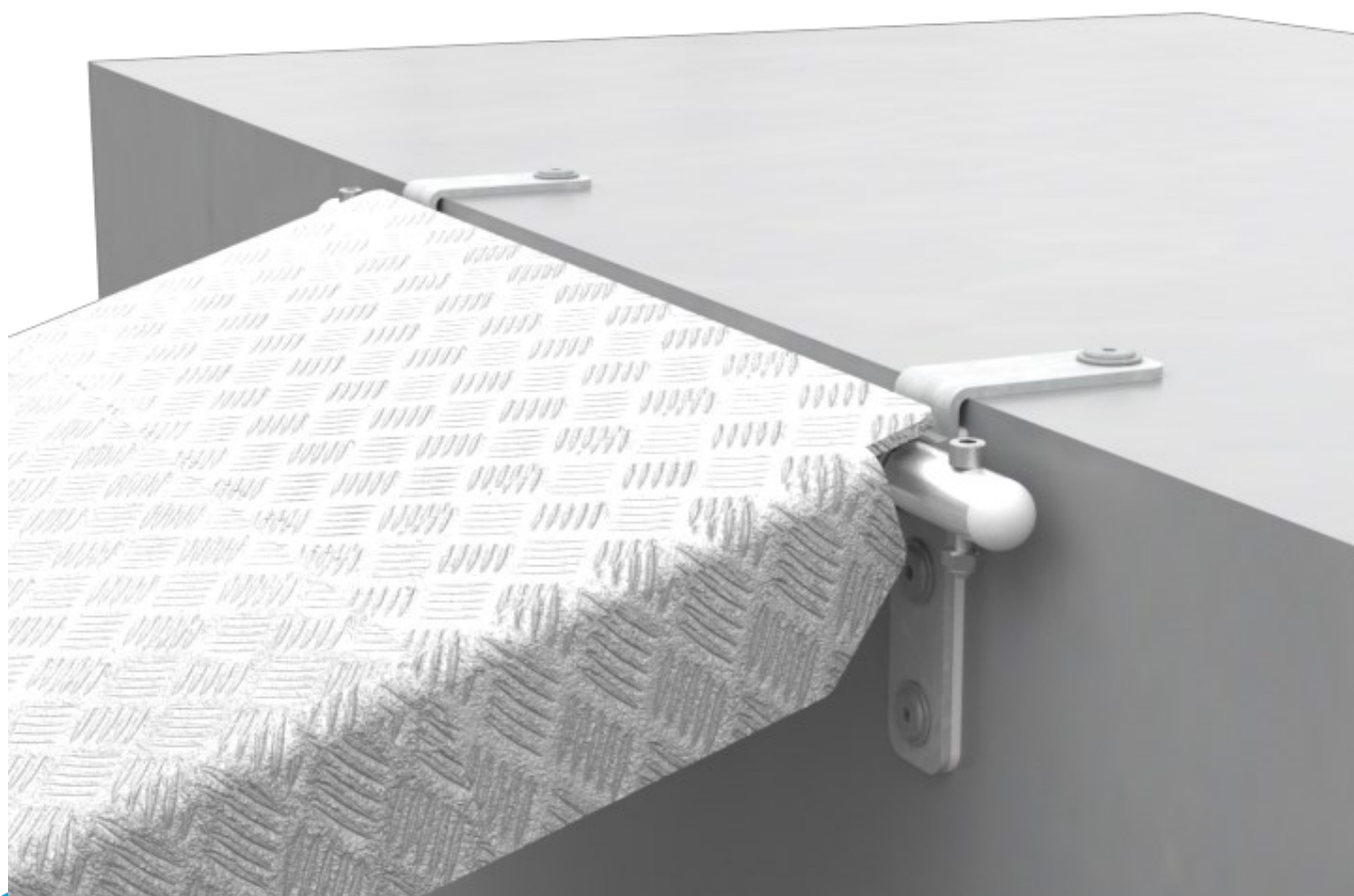
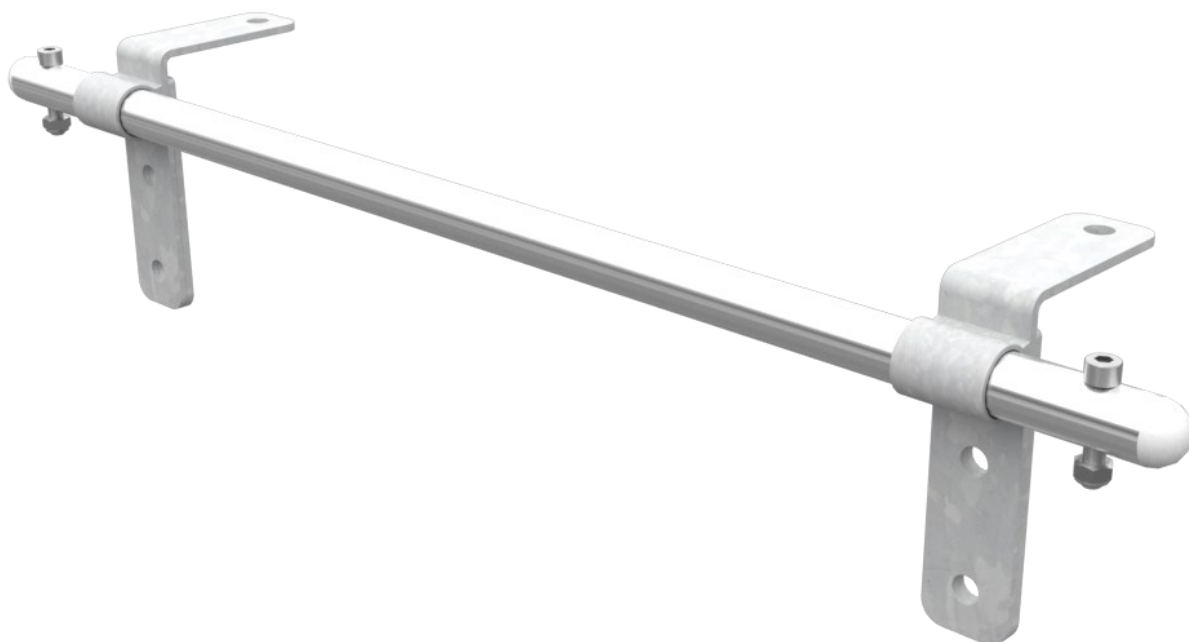
# EasyFloat®

PONTOON SYSTEMS

Art: 1100-0071

SV: Fäste för landgång Landsida, Solid

EN: Fastener Landing Board Shore, Solid



MADE IN  
SWEDEN

**floattech**  
EASY AND INTELLIGENT TECHNICAL SOLUTIONS



x1



x2



M10x60

x6



10x60

x6



17



13



T40

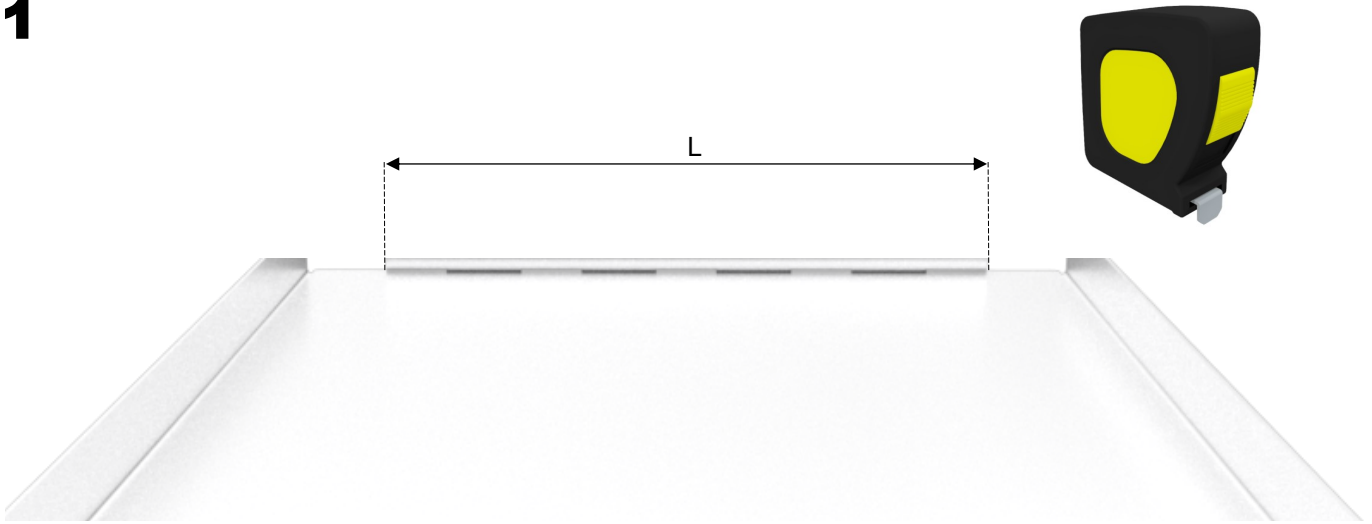


Ø 7 mm



Ø 10 mm

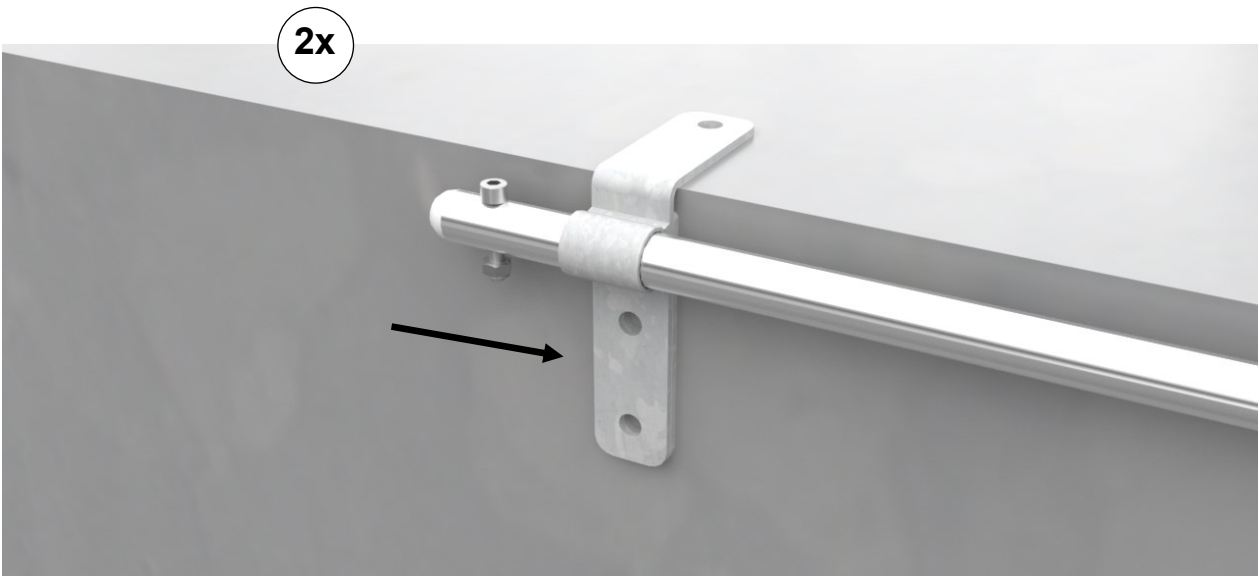
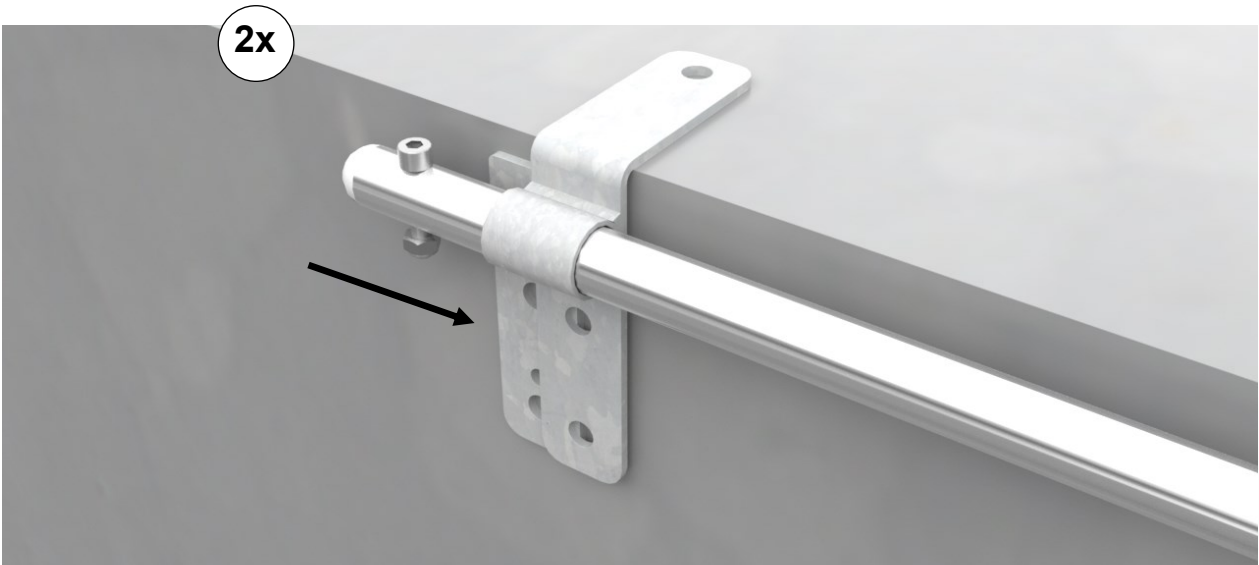
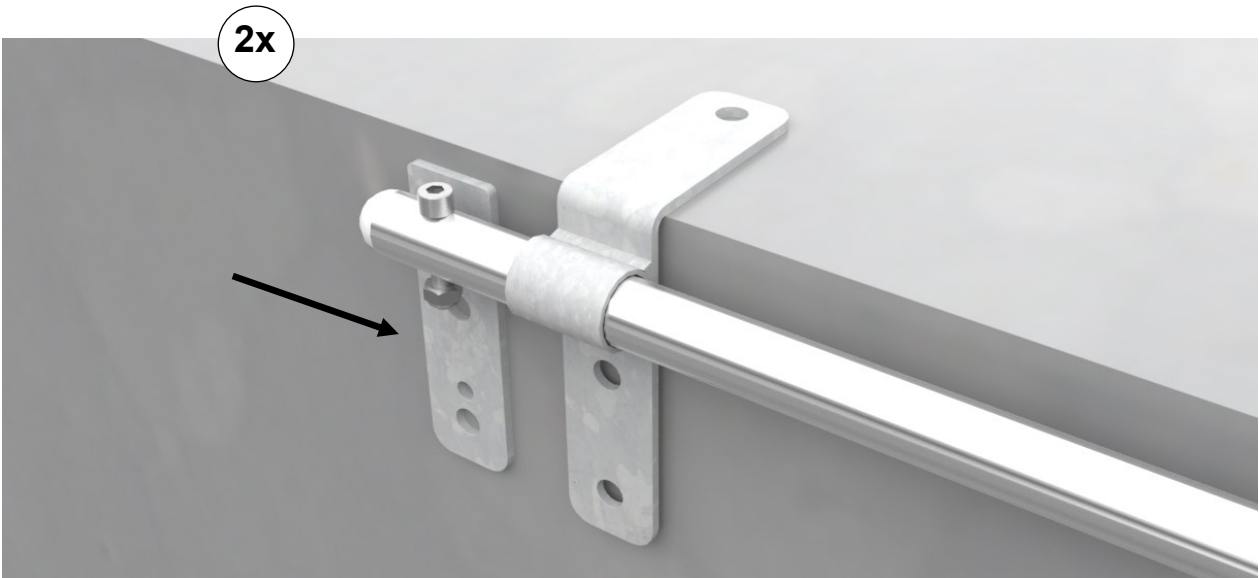
**1**



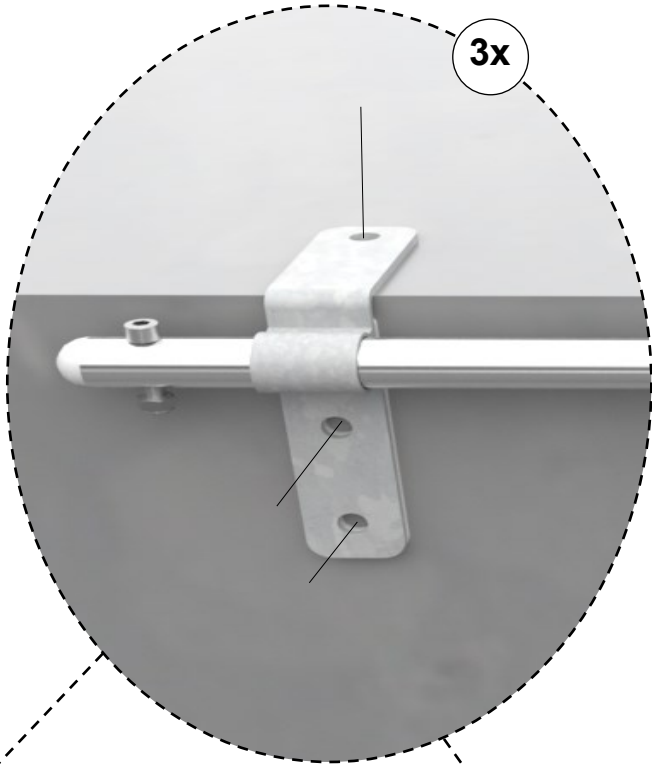
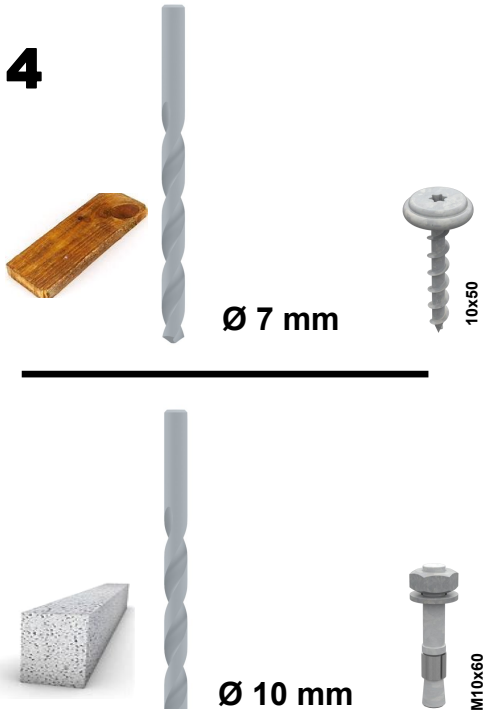
**2**



**3**



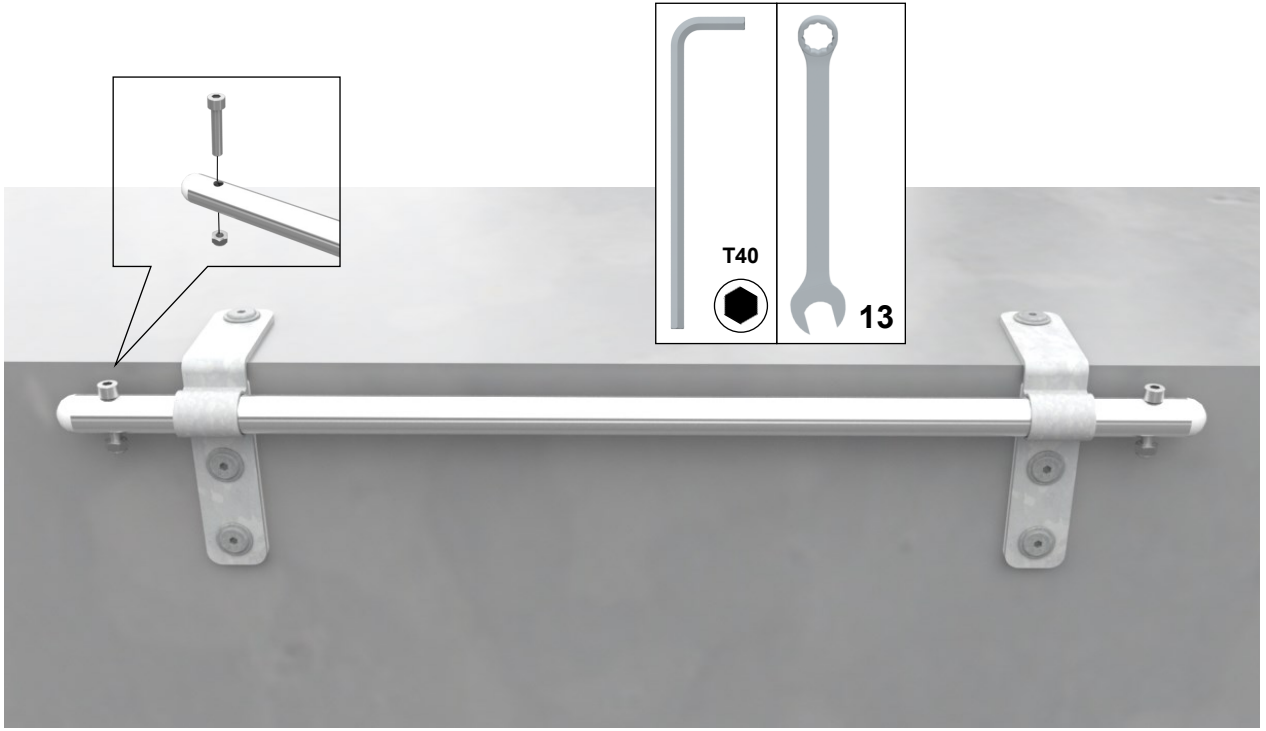
4



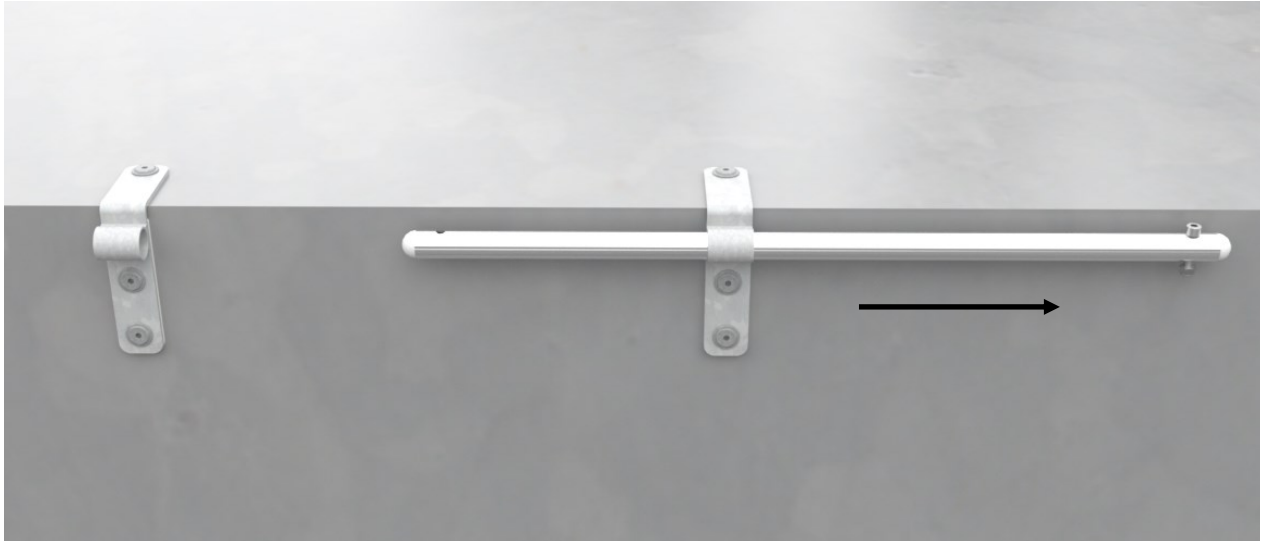
5



**5**

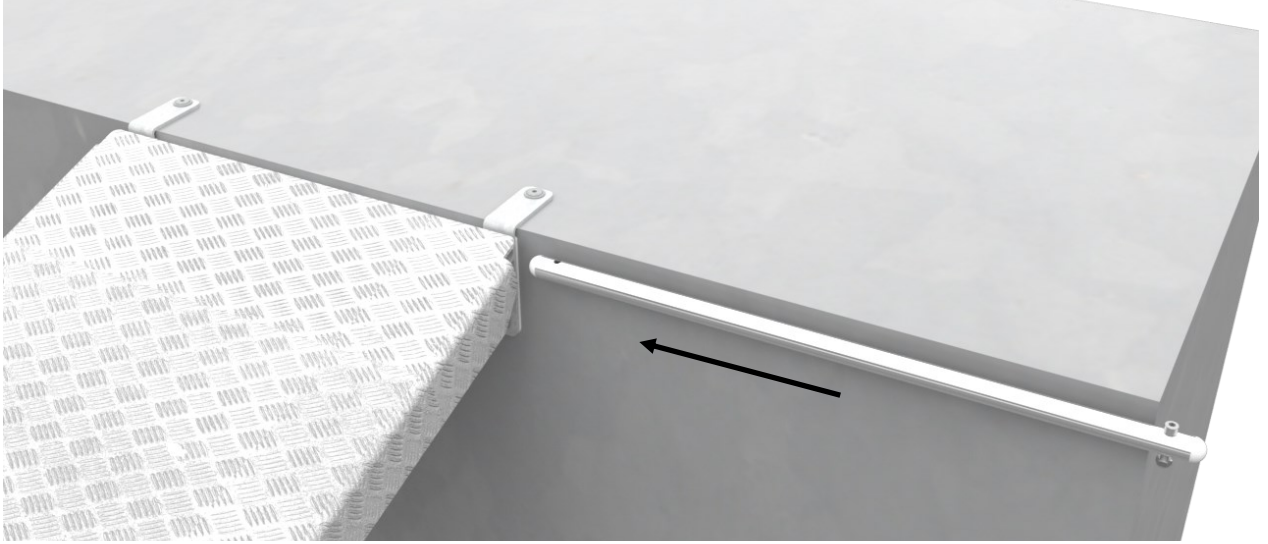


**6**

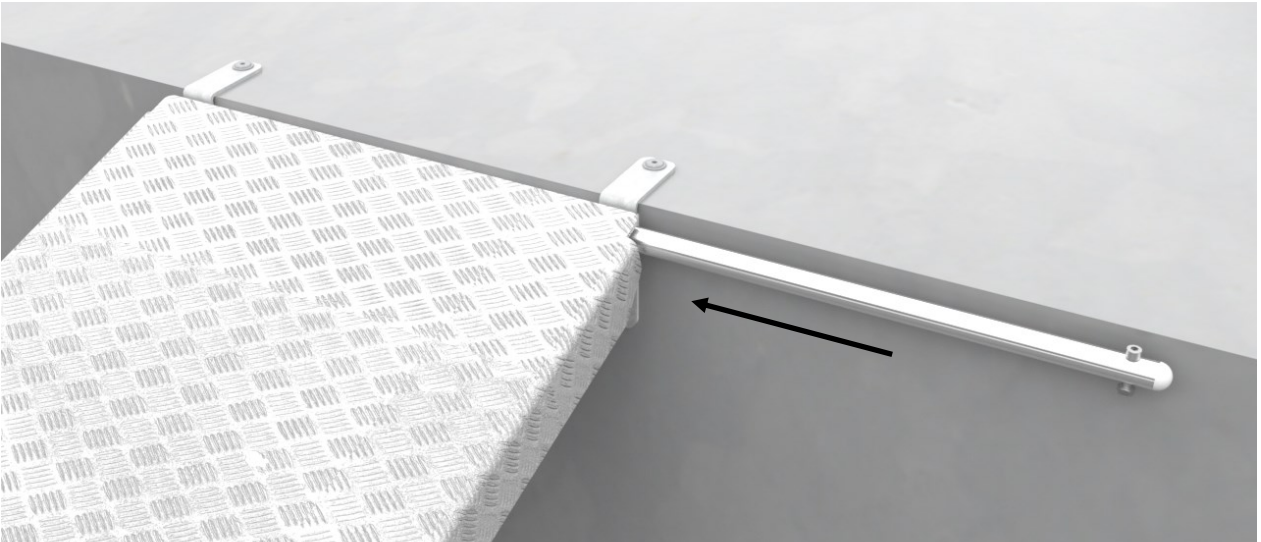




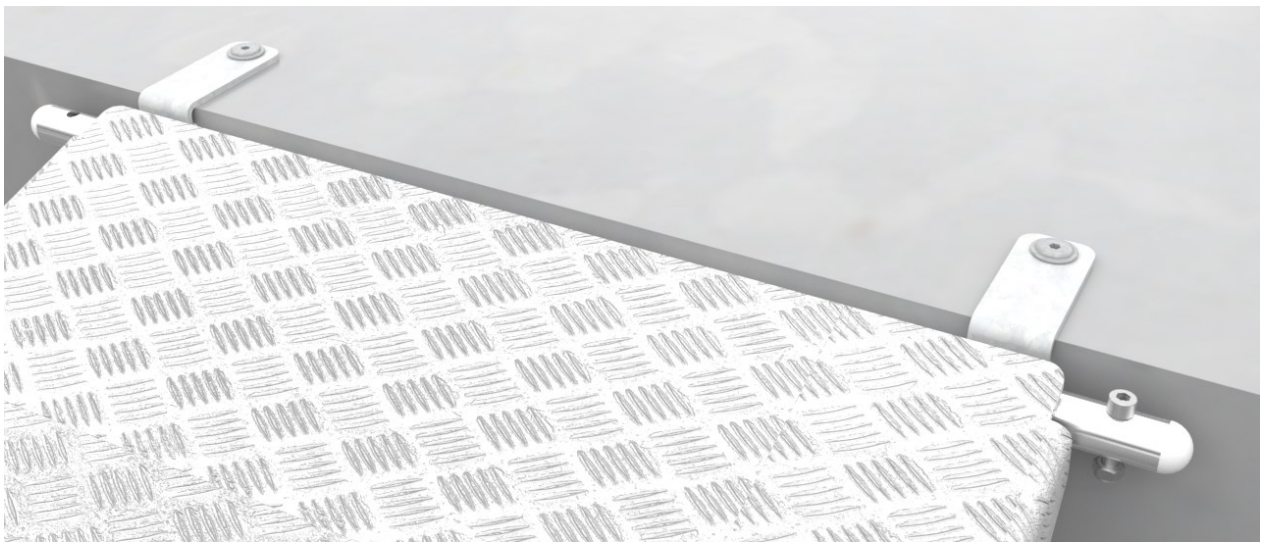
7



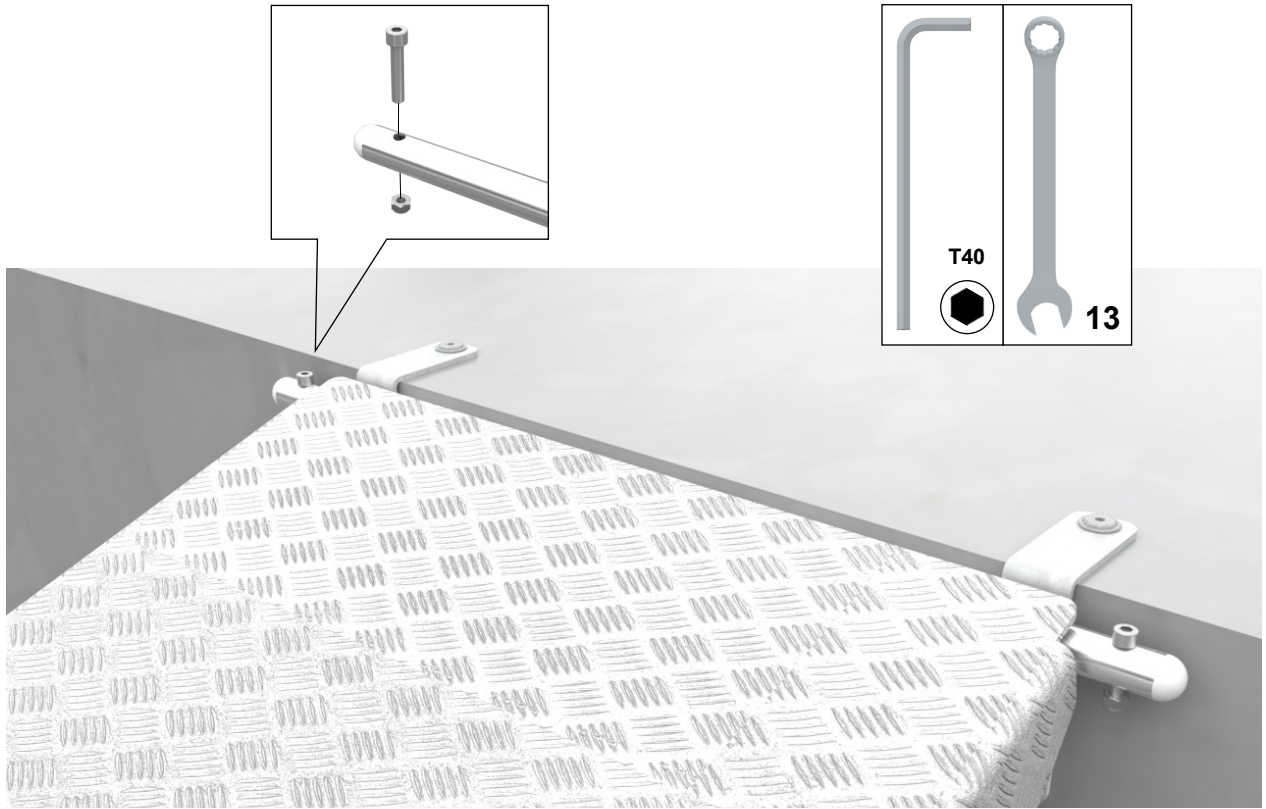
8



9



**9**



**10**

