

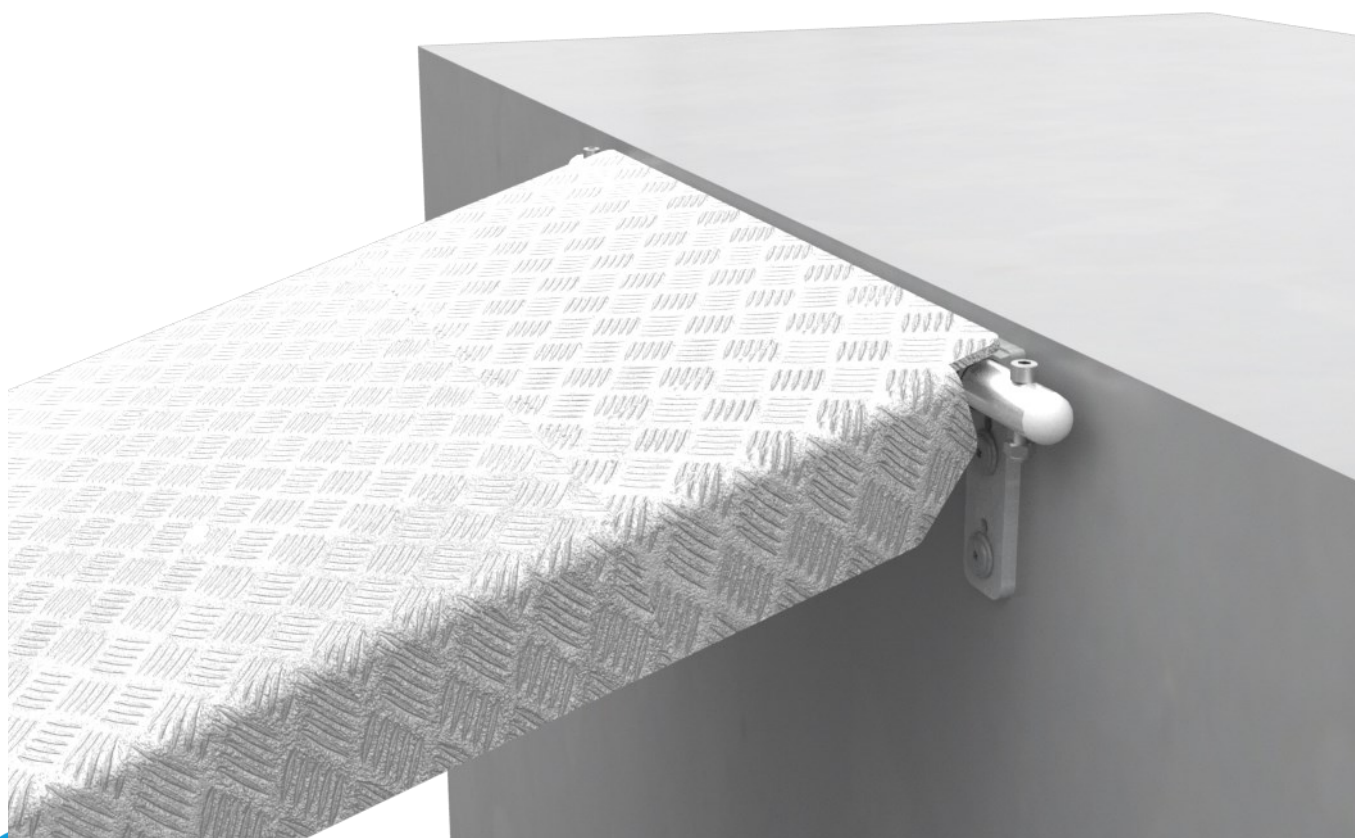
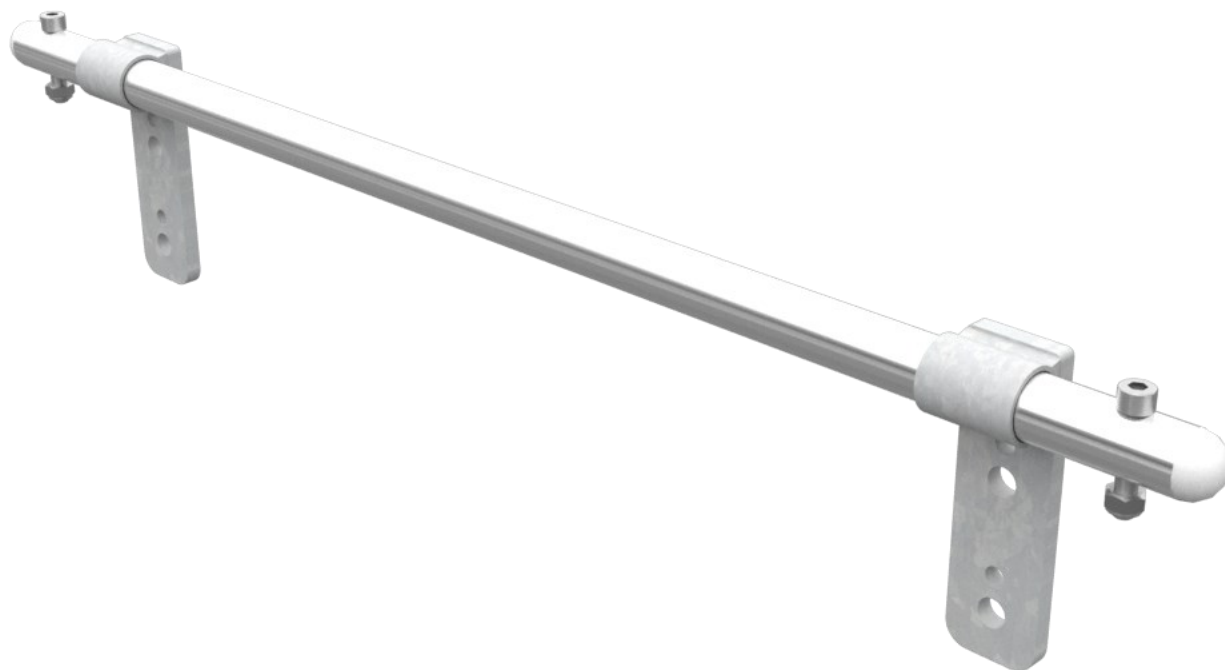
EasyFloat®

PONTOON SYSTEMS

Art: 1100-0028

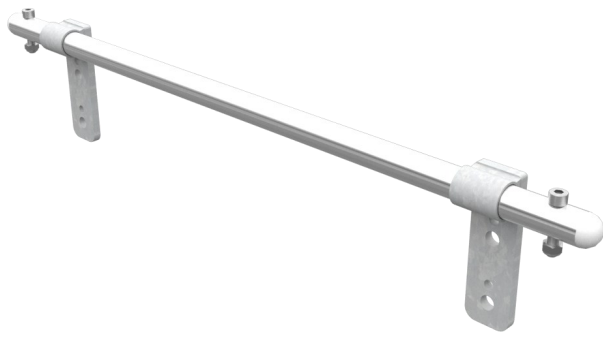
SV: Fäste för landgång landsida

EN: Fastener Landing Board Shore



MADE IN SWEDEN

floattech
EASY AND INTELLIGENT TECHNICAL SOLUTIONS



x1



x2



M10x60

x4



10x60

x4



17



13



T40

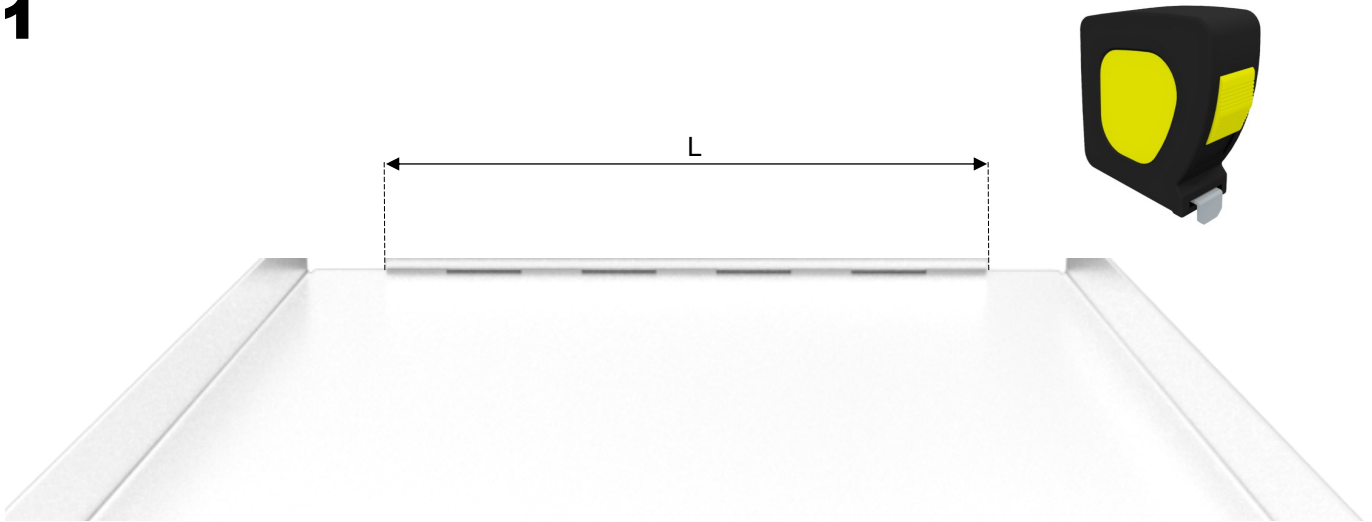


Ø 7 mm



Ø 10 mm

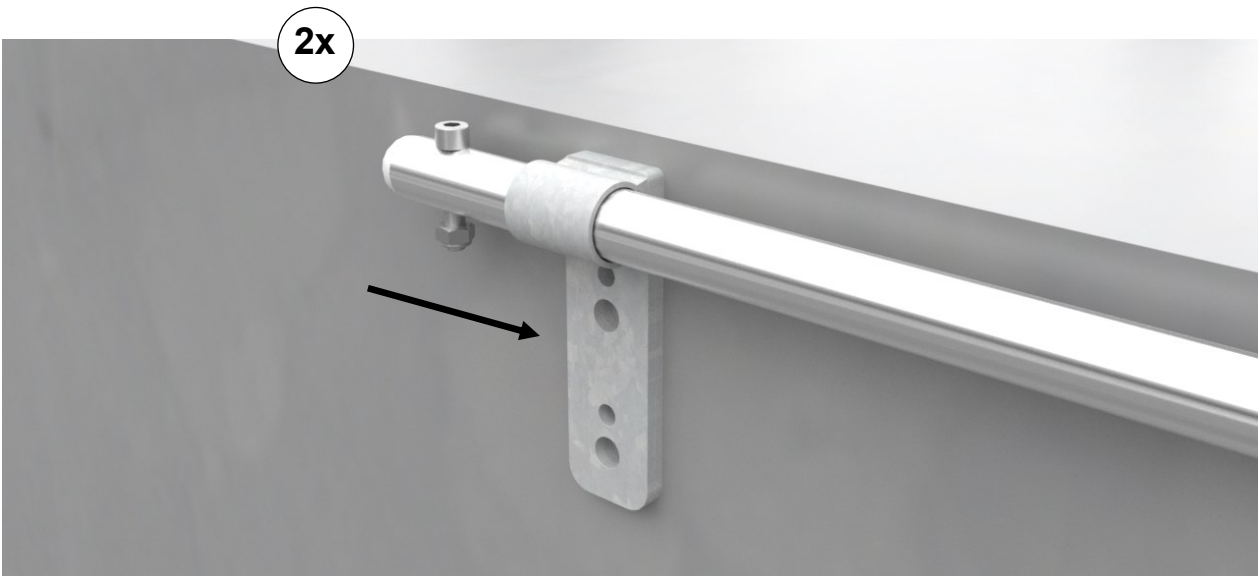
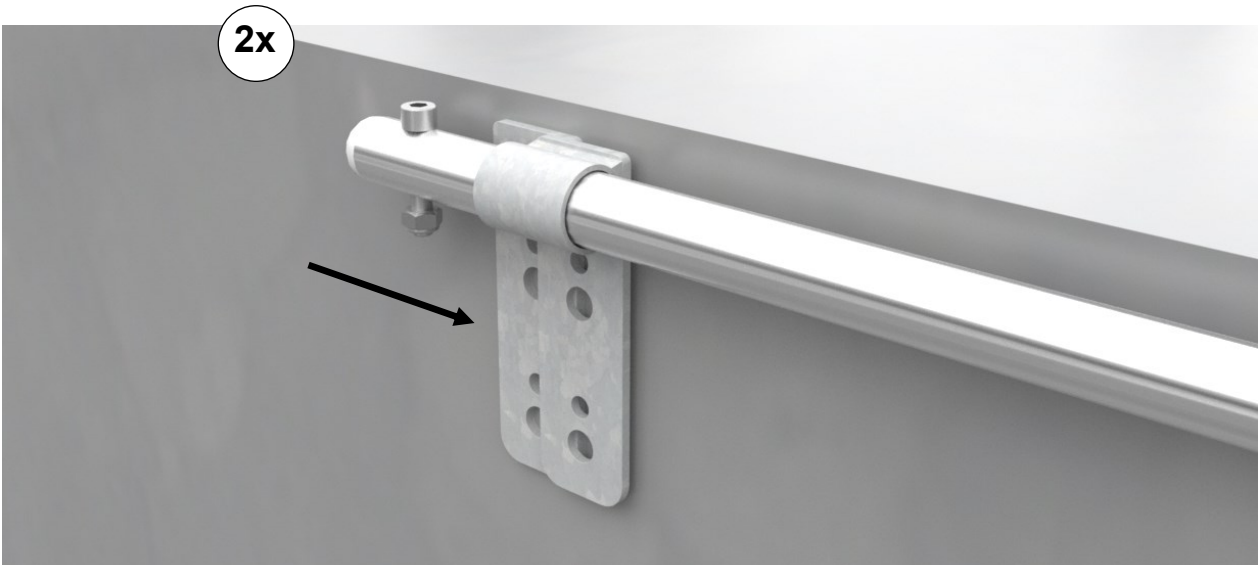
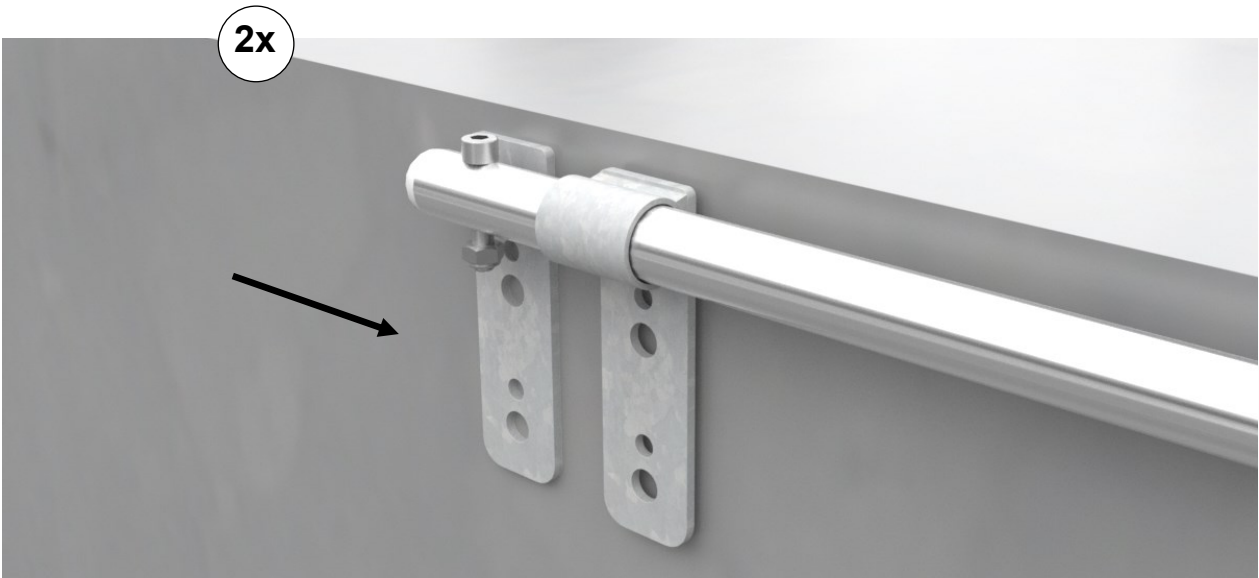
1



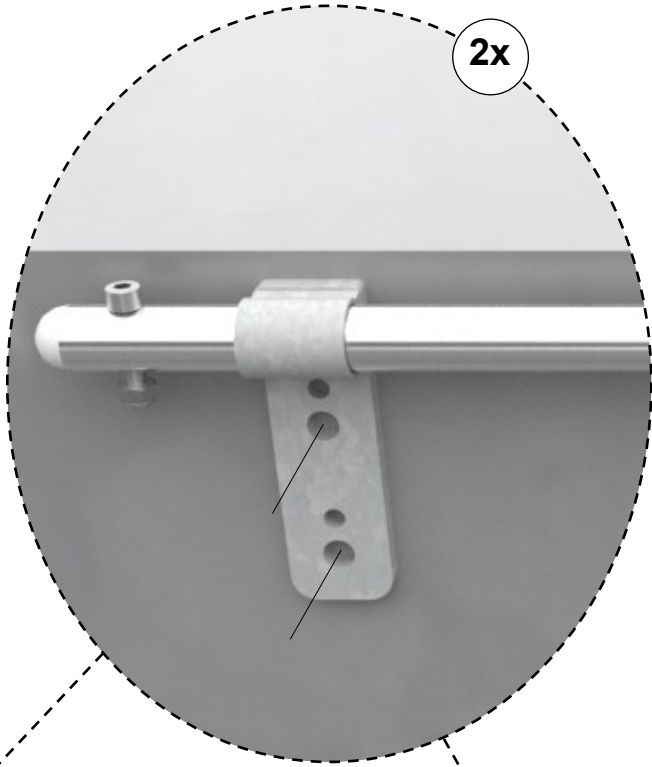
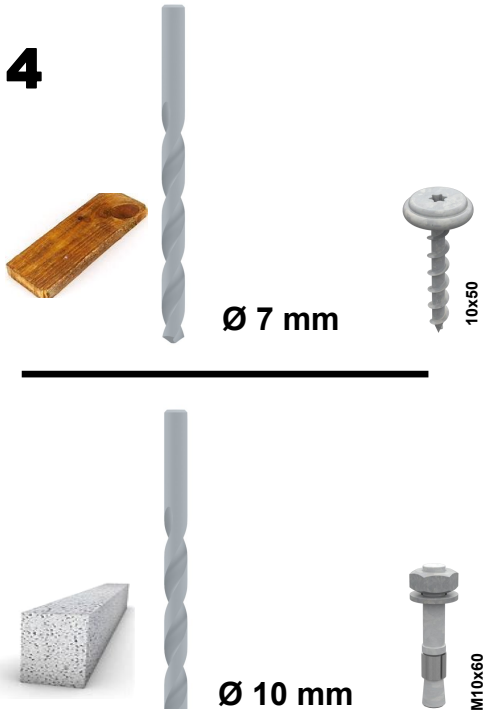
2



3



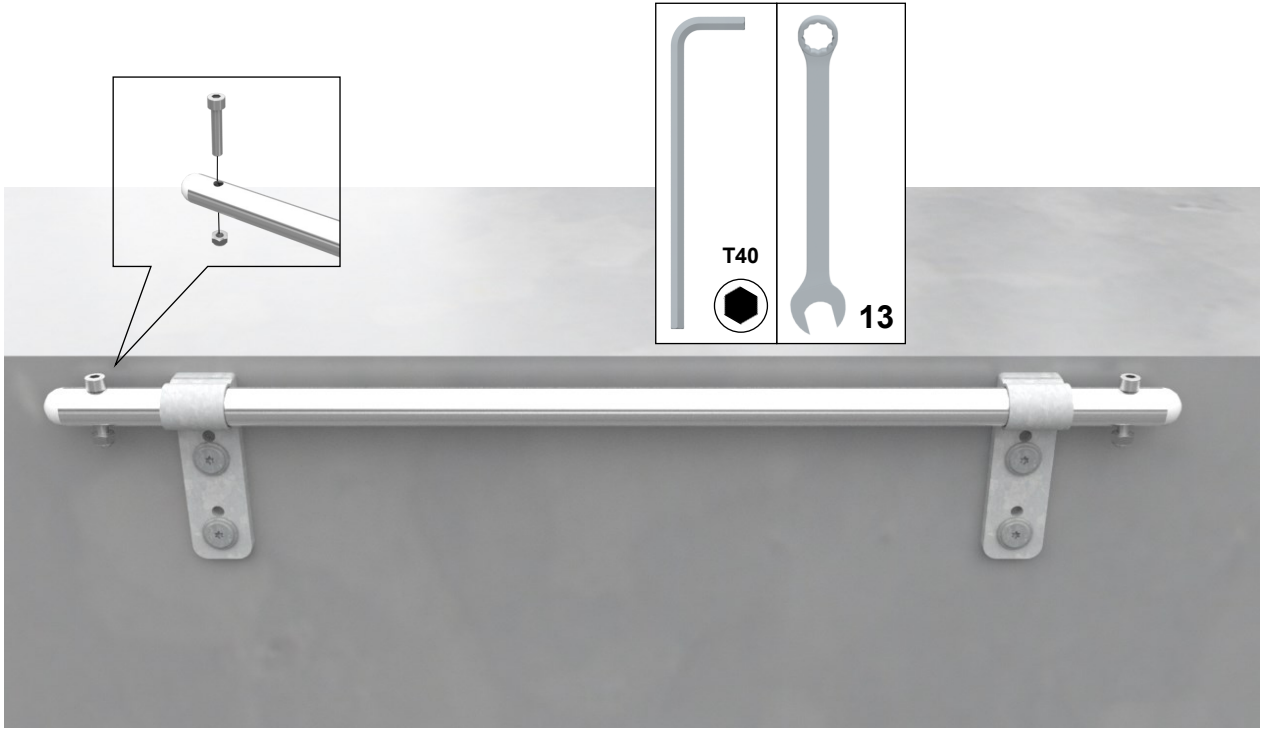
4



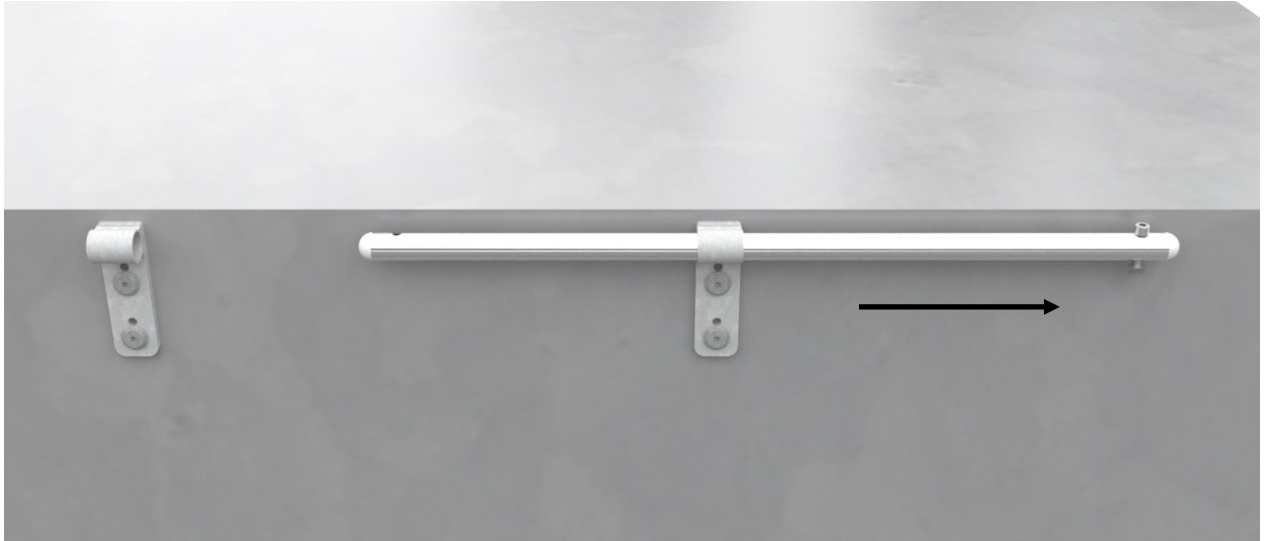
5



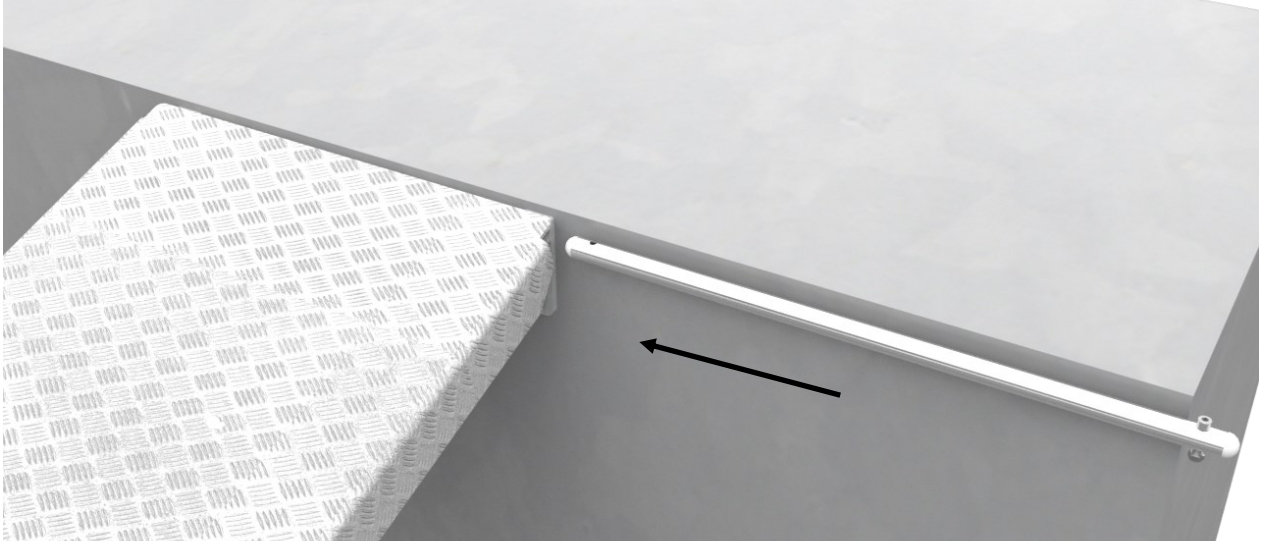
5



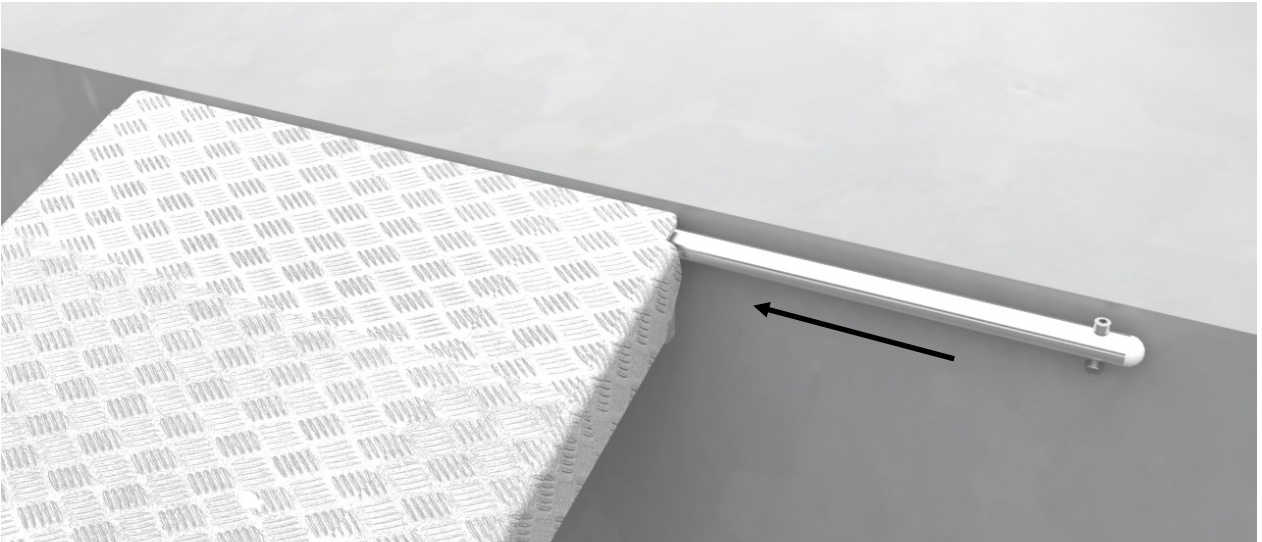
6



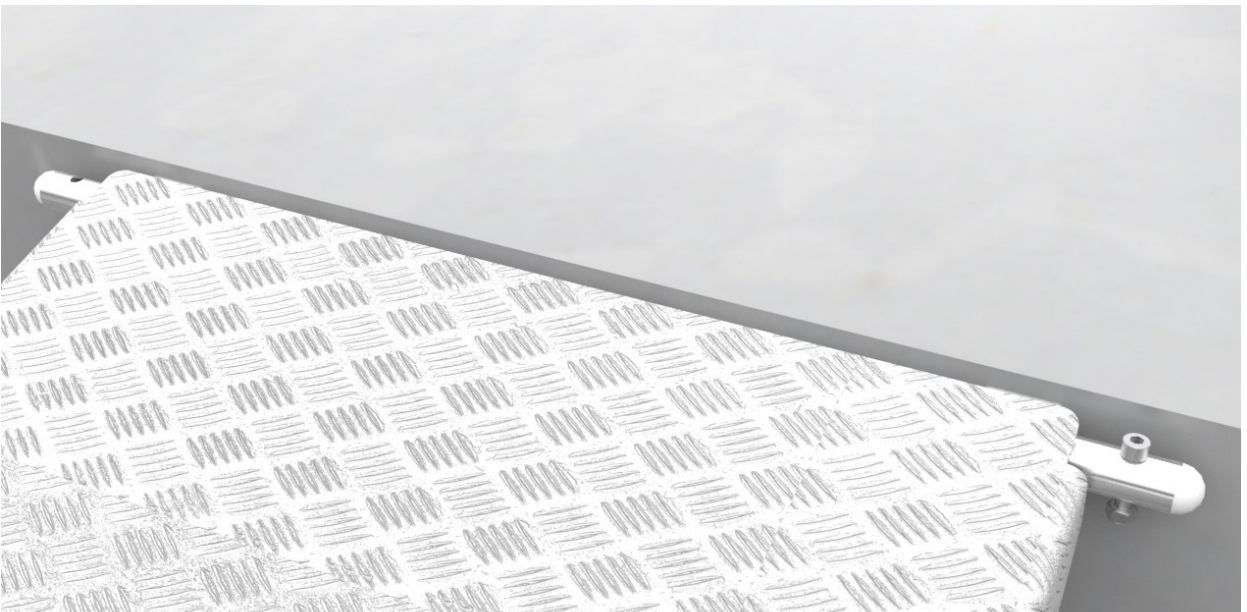
7



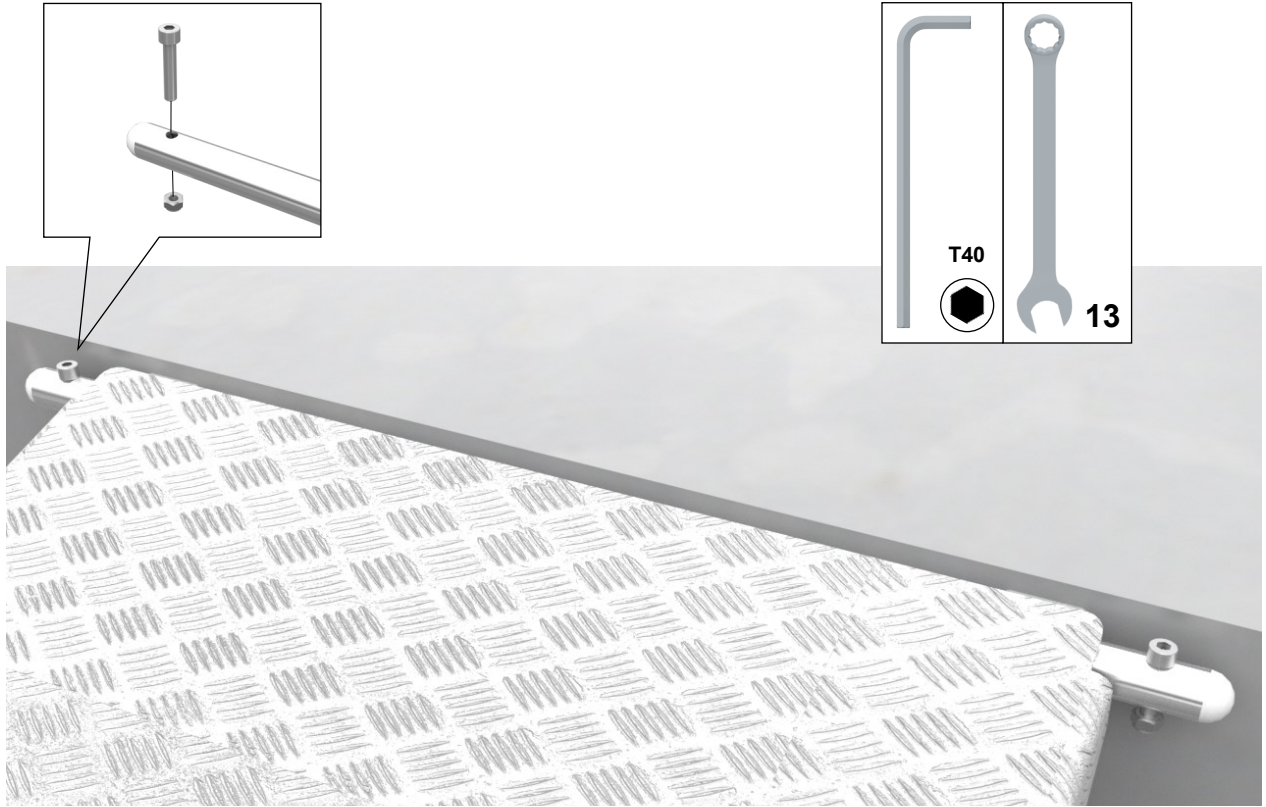
8



9



9



10

